

# Vido

Intelligent Fan Convector

A SILENT, **WARM** AND  
**REFRESHING** CHANGE



Residential/Commercial High & Low Temperature Fan Convectors  
Up to 37.2 BTU/HR for Heating and up to 14.2 BTU/HR for Cooling  
Enameled Finish for Scratch & Corrosion Resistance  
Compatible With Standard and Condensing Boilers  
Virtually Silent Fan Operation at Max Setting

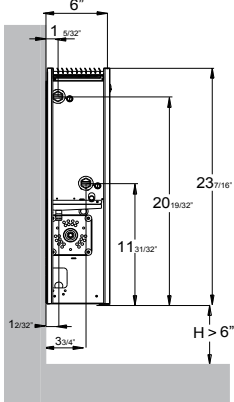
# VIDO Low Temperature Fan Convector

The VIDO series of wall mounted fan convectors are quiet, compact, attractive and operate efficiently with high heat outputs at low flow temperatures. VIDO's lower water content enables it to work faster than other heat emitters enhancing the efficiency of low mass and condensing boilers. It's microprocessor controller provides day or week setback programs and varies the fan speed based on deviation from thermostat setting. VIDO series delivers more than twice the heat of a comparably sized double panel radiator. With it's single piece casing, VIDO can be quickly installed with little disruption or mess.

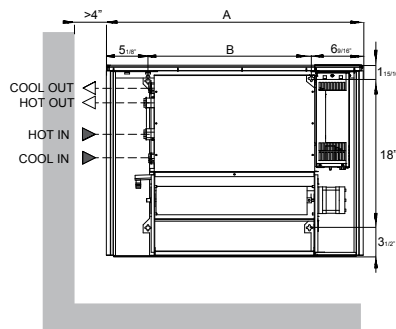
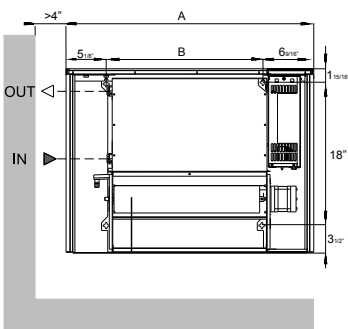
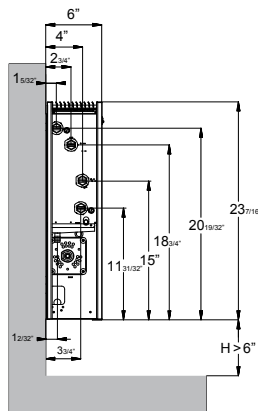
You will experience peace of mind from VIDO's five year limited warranty.



## Rough In Dimensions



| Model       | A       | B         |
|-------------|---------|-----------|
| VDO(x) 2432 | 31 1/2" | 19 13/16" |
| VDO(x) 2440 | 39 3/8" | 27 11/16" |
| VDO(x) 2448 | 47 1/4" | 35 9/16"  |
| VDO(x) 2456 | 55 1/8" | 43 7/16"  |
| VDO(x) 2464 | 63      | 51 5/16"  |



## Technical Advantages

- Intelligent room controls
- Silent operation
- Heating and cooling capabilities
- Low temperature compatibility

## 2-Pipe Unit

| Fan Speed              | Heat Outputs (BTU/HR) |        |        | Outputs Cooling (BTU/HR) |          |        |
|------------------------|-----------------------|--------|--------|--------------------------|----------|--------|
|                        | Water Flow (GPM)      | 180° F | 140° F | Total                    | Sensible |        |
| VDO2 2432<br>(H" X W") | normal                | 1.5    | 8,423  | 5,304                    | 2,389    | 1,799  |
|                        | medium                | 1.5    | 11,098 | 6,990                    | 3,843    | 2,829  |
|                        | boost                 | 1.5    | 14,874 | 9,377                    | 5,625    | 4,188  |
| VDO2 2440<br>(H" X W") | normal                | 2.0    | 11,531 | 7,260                    | 3,451    | 2,570  |
|                        | medium                | 2.0    | 15,134 | 9,533                    | 5,461    | 4,021  |
|                        | boost                 | 2.0    | 20,593 | 12,984                   | 7,864    | 5,857  |
| VDO2 2448<br>(H" X W") | normal                | 2.65   | 13,919 | 8,761                    | 5,188    | 3,178  |
|                        | medium                | 2.65   | 18,505 | 11,655                   | 6,689    | 4,922  |
|                        | boost                 | 2.65   | 26,323 | 16,597                   | 9,959    | 7,416  |
| VDO2 2456<br>(H" X W") | normal                | 3.1    | 16,364 | 10,299                   | 5,085    | 3,788  |
|                        | medium                | 3.1    | 21,882 | 13,783                   | 7,918    | 5,826  |
|                        | boost                 | 3.1    | 31,755 | 20,023                   | 12,058   | 8,980  |
| VDO2 2464<br>(H" X W") | normal                | 3.5    | 18,864 | 11,784                   | 5,901    | 4,396  |
|                        | medium                | 3.5    | 25,262 | 15,911                   | 9,143    | 6,730  |
|                        | boost                 | 3.5    | 37,178 | 23,443                   | 14,154   | 10,539 |

Relative humidity: sensible cooling at 50% 3/4"(7/8"Compression) Supply and Return Connections

## 4-Pipe Unit

| Fan Speed              | Heat Outputs (BTU/HR) |        |        | Outputs Cooling (BTU/HR) |          |        |
|------------------------|-----------------------|--------|--------|--------------------------|----------|--------|
|                        | Water Flow (GPM)      | 180° F | 140° F | Total                    | Sensible |        |
| VDO4 2432<br>(H" X W") | normal                | 1.32   | 5,961  | 3,752                    | 2,292    | 1,708  |
|                        | medium                | 1.32   | 7,880  | 4,961                    | 3,650    | 2,687  |
|                        | boost                 | 1.32   | 10,613 | 6,686                    | 5,342    | 3,977  |
| VDO4 2440<br>(H" X W") | normal                | 1.54   | 8,116  | 5,109                    | 3,277    | 2,441  |
|                        | medium                | 1.54   | 10,671 | 6,720                    | 5,186    | 3,818  |
|                        | boost                 | 1.54   | 14,557 | 9,175                    | 7,468    | 5,562  |
| VDO4 2448<br>(H" X W") | normal                | 1.76   | 9,717  | 6,118                    | 4,927    | 3,018  |
|                        | medium                | 1.76   | 12,911 | 8,133                    | 6,353    | 4,674  |
|                        | boost                 | 1.76   | 18,340 | 11,565                   | 9,458    | 7,044  |
| VDO4 2456<br>(H" X W") | normal                | 1.98   | 11,404 | 7,179                    | 4,830    | 3,598  |
|                        | medium                | 1.98   | 15,227 | 9,593                    | 7,520    | 5,533  |
|                        | boost                 | 1.98   | 22,040 | 13,901                   | 11,452   | 8,528  |
| VDO4 2464<br>(H" X W") | normal                | 2.2    | 13,125 | 8,263                    | 5,604    | 4,175  |
|                        | medium                | 2.2    | 18,048 | 11,360                   | 8,684    | 6,391  |
|                        | boost                 | 2.2    | 26,820 | 16,895                   | 13,442   | 10,009 |

Relative humidity: sensible cooling at 50% 3/4"(7/8"Compression) Supply and Return Connections

The 4-pipe VIDO has two heat coils enabling separate connections to boilers and chillers allowing a building to be heated and cooled simultaneously.